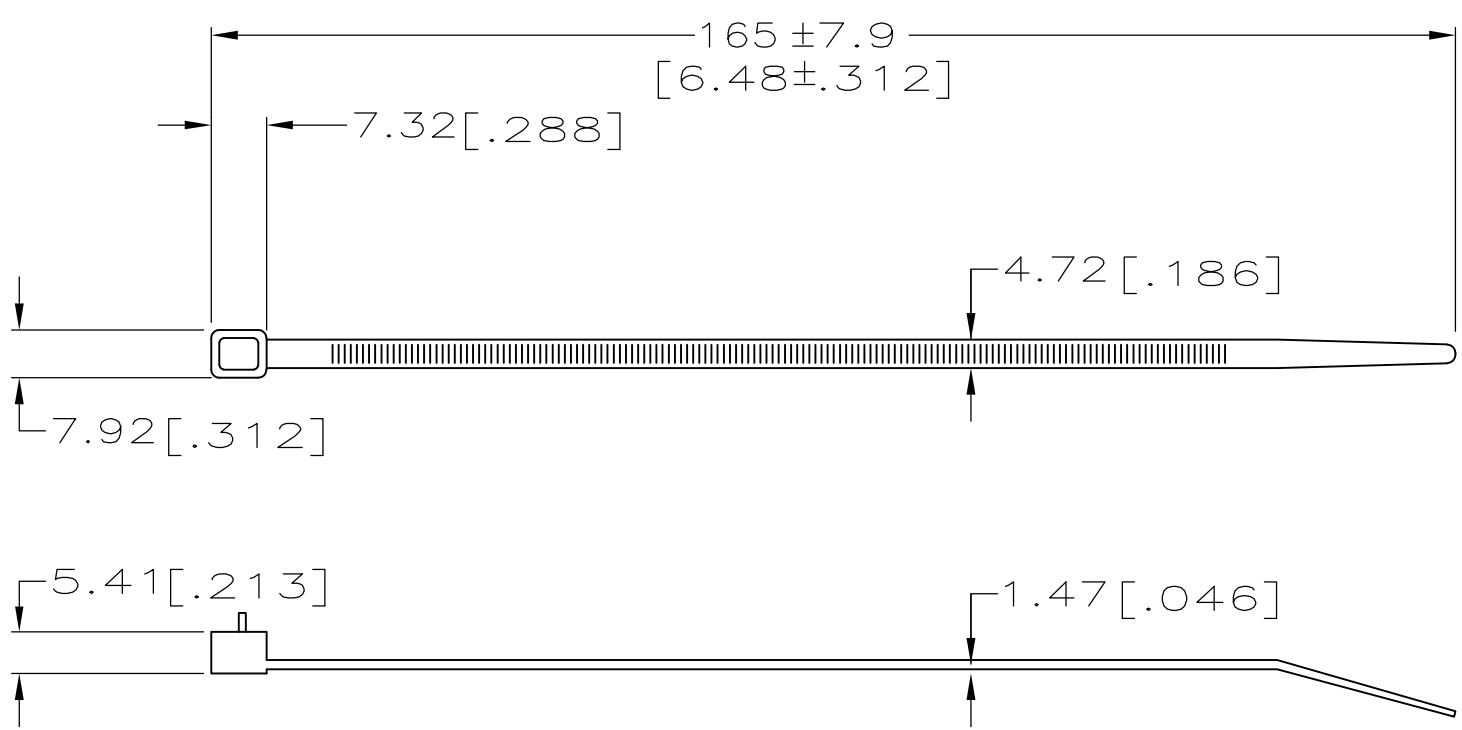


THIS DRAWING IS UNPUBLISHED. RELEASED FOR PUBLICATION
 © COPYRIGHT - By - ALL RIGHTS RESERVED.

LOC	DIST	REVISIONS			
P	LTR	DESCRIPTION	DATE	DWN	APVD
	J3	REVISED PER ECO-12-004153	01MAR12	KH	DR



- 1 PACKAGED IN A HEAT SEALED 3 MIL POLYBAG.
- 2 MAXIMUM BUNDLE DIAMETER: 34.93[1.38].
- 3 MINIMUM TENSILE STRENGTH: 22.68 KG[50 LBS].
- △ 4 OBSOLETE PARTS

OBSOLETE	1000	PURPLE	4-608692-0
OBSOLETE	100	PURPLE	3-608692-0
OBSOLETE	1000	BLACK	2-608692-0
△ 4 OBSOLETE	100	NATURAL	2-608692-9
	1000	BLACK	1-608692-0
OBSOLETE	100	NATURAL	1-608692-9
	QUANTITY/BAG	COLOR	PART NUMBER

THIS DRAWING IS A CONTROLLED DOCUMENT.		DWN DL DRUMMOND 16 MAR 98	TE Connectivity				
DIMENSIONS: mm [INCHES]		CHK DL DRUMMOND 16 MAR 98			NAME		
		APVD EJ HRYN 18 MAR 98					
TOLERANCES UNLESS OTHERWISE SPECIFIED:		PRODUCT SPEC	CABLE TIE, RELEASABLE, 6-1/2 INCHES				
0 PLC ± - 1 PLC ± - 2 PLC ± - 3 PLC ± 0.99[.039] 4 PLC ± - ANGLES ± -		APPLICATION SPEC	SIZE	CAGE CODE	DRAWING NO	RESTRICTED TO	
MATERIAL NYLON 6/6		FINISH -	WEIGHT -	A3	00779	C-608692	-
CUSTOMER DRAWING			SCALE NONE	SHEET 1 OF 1	REV J3		